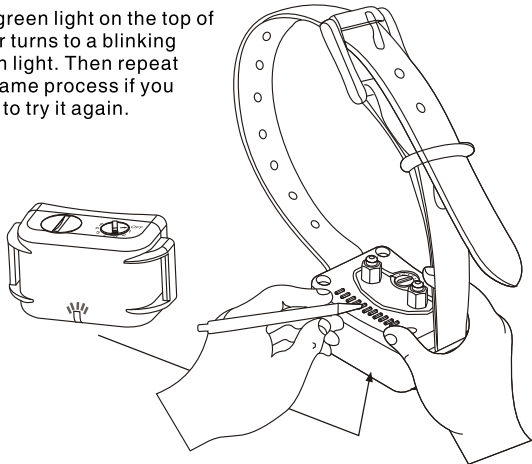


Notes: After turning on the **PetAiner**, If the green LED indicator turns to a blinking red light, the battery needs to be replaced.

Testing

1. Turn the **PetAiner** on by turning OFF & Intensity Dial and set to the intensity level you prefer.
2. Set the Sensitivity Dial to the "5" Level.
3. Test by scratching the rough surface of the test tool on the **PetAiner** (as shown in the diagram) using a fingernail or pen.

The green light on the top of collar turns to a blinking green light. Then repeat the same process if you want to try it again.



- When you set the dial on the "5" Level, it may be sensitive enough that the No Bark Collar can be activated easily by a small sound or tap.

No Bark Collar: 1X4LR44/6V



PetAiner[®]

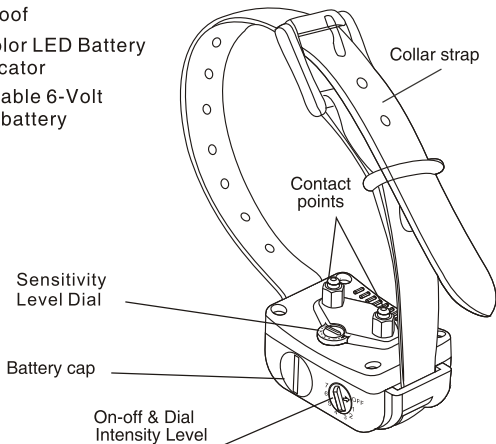
PET851 No Bark Collar



Owner's Manual

Main Features

- 7 intensity levels (1-7) for a wide variety of dispositions
- 5 Sensitivity levels (1-5) adjustable for different dogs and environments
- Easy testing method to check the No Bark Collar
- Small size and light weight
- Waterproof
- Multi-Color LED Battery Life Indicator
- Replaceable 6-Volt alkaline battery



ON-OFF & Intensity Dial

This Dial is to turn the **Petainer** on/off and select the intensity level of stimulation

“OFF” position is to turn off the **Petainer**.

Level 1 is lowest electrical stimulation and Level 7 is the highest.



Sensitivity Dial

The sensitivity Dial is to adjust the sensitivity to the Dog Bark according to the environments the dog is in.

Level 5 is the most sensitivity and Level 1 is the lest.

When testing the **Petainer**, set it to the level 5.



Installing The Battery

- 1) Open the battery cap by using a coin, inserting it in the slot and turning counterclockwise.
- 2) Insert the battery and please put the negative(-) end facing of the battery inside.
- 3) Put the battery cap back in a clockwise direction.

Auto-Protection Mode

To protect your dog from the excessive stimulation, our no-bark collar has auto-protection mode. If the Petainer continuously activates for 5 times, it will switch to be off for 1 minutes while the LED indicator will turn to a blinking red and green light. After 1 minutes, the LED indicator will be off and the Petainer is back to Sleep mode.

