

Important Notice:

The product isn't a toy , don't let the children use it , and don't use it casually.

Before using the product, make sure your dog is healthy.

Don't immerse it into the water. You'd better not use it in the rainy day.

Please clean the product with dry cloth.

Don't let your dog catch or bite the product.

When the electricity of the batteries in the receiver is not enough, please charge them in time.

We strongly suggest that you should charge the battery with the charger we offer.

Don't disassemble the product , the damage caused by it isn't in our warranty scope.

If the dog feels uncomfortable when wearing the collar, you can take it off for a while, and use it again when the dog calms down.

The temperature the product can be used in is between 2 and 45 centigrade. Beyond or below this temperature range will damage the product , and this kind of damage isn't in the warranty scope.

The product can only be used on the healthy dogs. If the dog has had physical or mental problems , please turn to the professional veterinarians first.



Made in China

Receiver: 3.7V 120ma LiP

Important Notice:

If you find the spray collar can't spray after you use it for a while, please don't worry and please follow the instructions to check.

1. Please take out the bottle from the unit and check whether it's empty and need to refill. If needed, please release the air from the bottle first and then refill the bottle.
2. If you don't need to refill, then take out the bottle from the unit and wait for at least half hour and then reinstall the bottle back to the right position.

The spray should work properly.

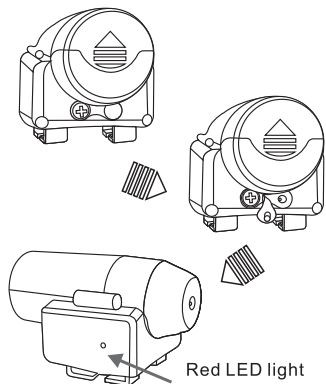
Remote Control Spray Training Collar



Prepare to use

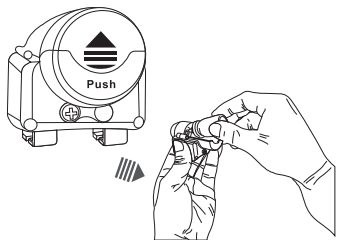
Charge the Spray Collar

1. Connect the charger connector to the charging jack.
2. Plug the charger into a standard outlet.
3. The red LED lights will be flashing.
4. Charge the Collar Receiver at least 4 hours for the first charge.
5. After fully charged, the LED light will keep lighting.
6. After charging is completed, replace the rubber cover.



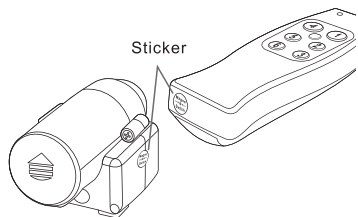
Install the Storage Bottle

1. Open the storage cover by pushing according to the direction.
2. Insert the bottle to the right position, please refer to the picture.
3. Install the cover back.



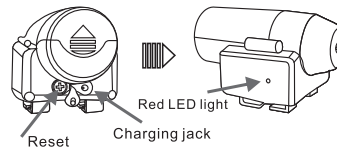
Turn on/Off the Spray Collar

1. The receiver is using the electromagnetism induction power switch to turn on / off.
2. There are two stickers on the receiver and transmitter to indicate the position of the switch.
3. Move two stickers closely, then the power indicator light in the receiver will flash. Keep it for three seconds. If the indicator light stop flashing, it means that the power has been turned on. If the indicator light goes out, it means that the power has been turned off.



Encode your spray collar with the remote transmitter

1. Turn on the collar
2. When it's turned on, the LED light will keep lighted
3. Release the screw at the RESET position, using a pin or clip to press the reset.
4. After the reset, the LED light will be flashing for 10 seconds
5. During this 10 seconds, please encode your spray collar with the remote by holding the button in the remote for 3 seconds.



Three working modes

1. For only 1 Dog Control

Connect the transmitter with the spray collar by holding the button in the middle for 3 seconds. After turning on the receiver,

- a. Press button 1, the receiver will be beeping for Three short and one long warning sound
- b. Press button 2, the receiver will be beeping for Four short and one long warning sound.

- c. Press button 3, the receiver will be beeping for Five short and one long warning sound.
- d. Press button 4, the receiver will be beeping for Three short warning sound and then spray for 0.5 second.
- e. Press button 5, the receiver will be beeping for Four short warning sound and then spray for 1 second.
- f. Press button 6, the receiver will be beeping for Five short warning sound and then spray for 1.5 seconds.
- g. Press the button in the middle, the receiver will be beeping for three short, two long and then three short warning sounds.

2. For Two Dog Control

To encode for the first dog, choosing either right side buttons or left side buttons to connect the transmitter with the spray collar by holding the button for 3 seconds. After turning on the receiver, using same method, to encode for the second dog, by holding one of the other side buttons for 3 seconds,

- a. Press button 1 or (4), the receiver will be beeping for Four short and one long warning sound.
- b. Press button 2 or (5), the receiver will be beeping for Three short warning sound and then spray for 0.5 second.
- c. Press button 3 or (6), the receiver will be beeping for Five short warning sound and then spray for 1 second.
- d. Press the button in the middle, the receiver will be beeping for three short, two long and then three short warning sounds.